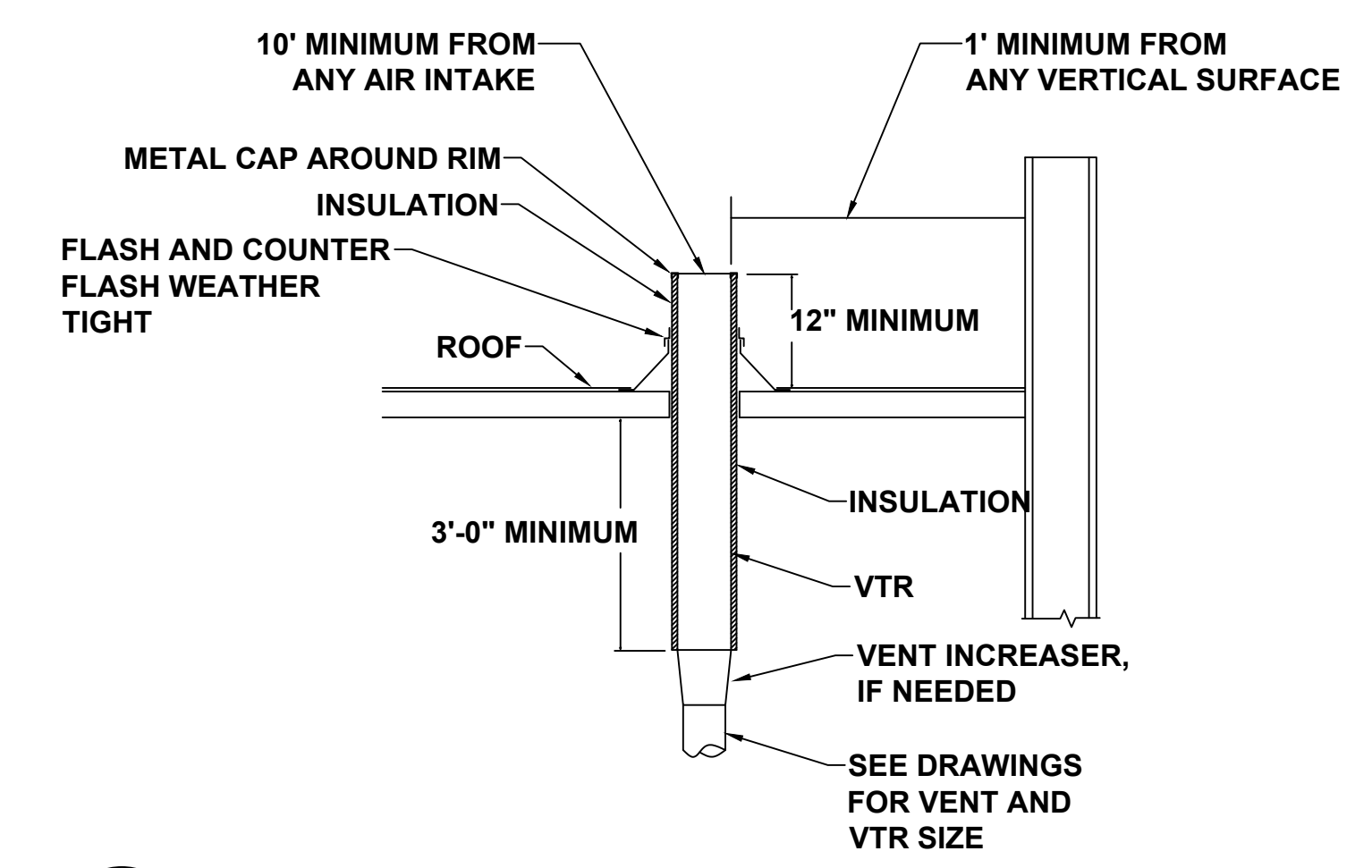
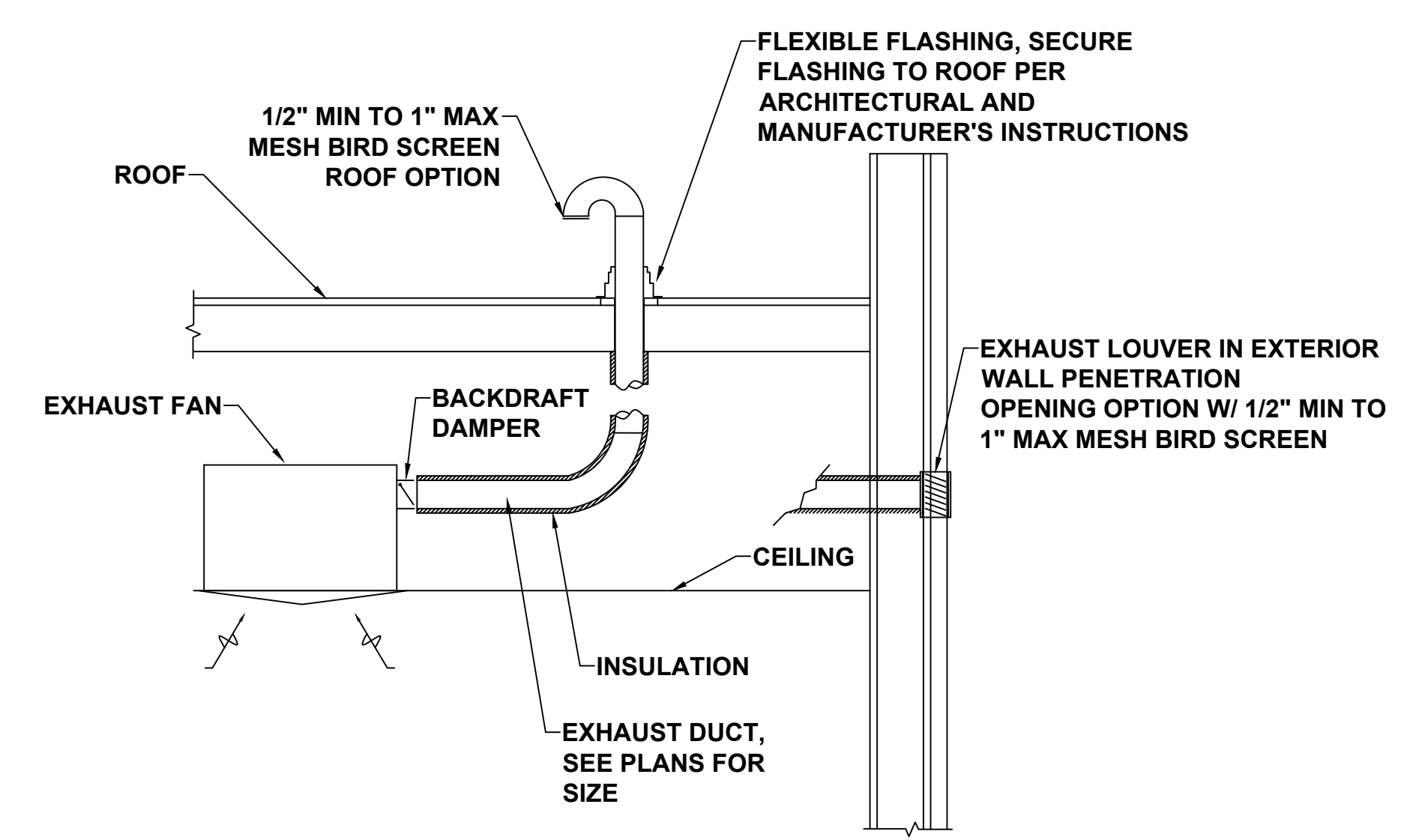


1 DOMESTIC PIPING DIAGRAM
1/4" = 1' - 0"



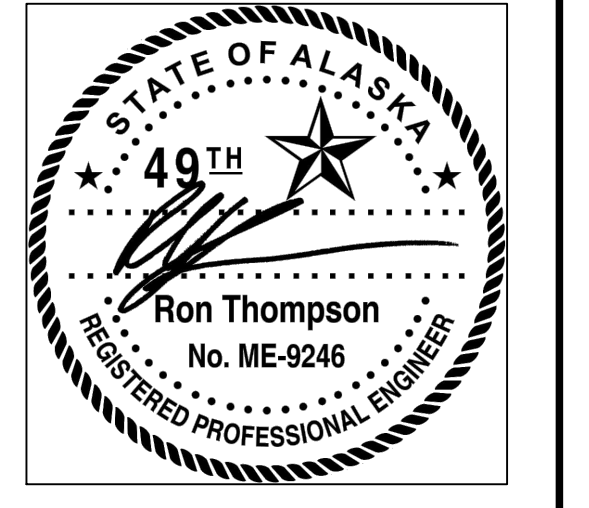
2 PLUMBING VENT THRU ROOF DETAIL
NTS



3 TOILET EXHAUST FAN DETAIL
NTS



7216 LAKE OTIS PKWY
ANCHORAGE, AK 99507



10/19/2021
LIC # 101702

CLEAR CUT CANNABIS
1137 E 68TH AVE
ANCHORAGE, AK 99518

REVISION:

1.	AHD REQ. REV #1 10/19/21
2.	
3.	
4.	
5.	

PROJECT NR:	2020-21
DATE:	10/19/2021
DRAWN BY:	RJT
SCALE:	AS NOTED
SHEET NUMBER:	

M-5